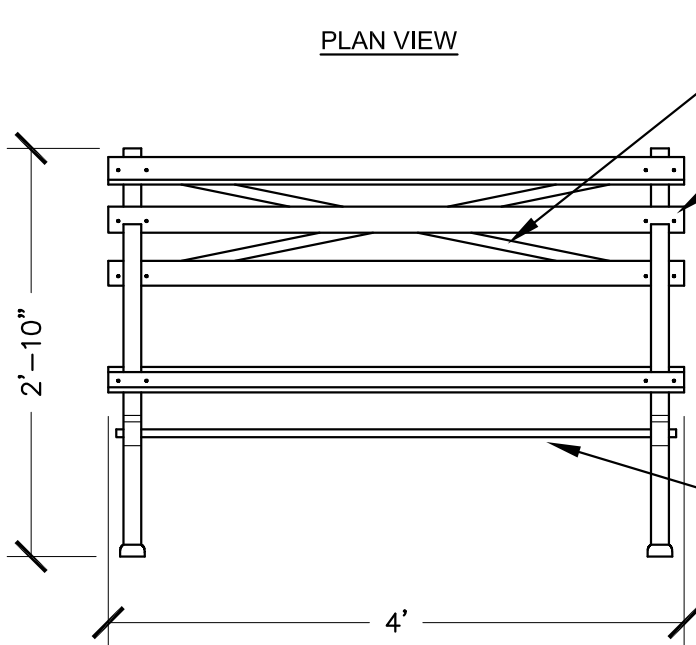


CLEAR WHITE OAK
SLATS COATED
WITH CLEAR
EXTERIOR VARNISH

PLAN VIEW



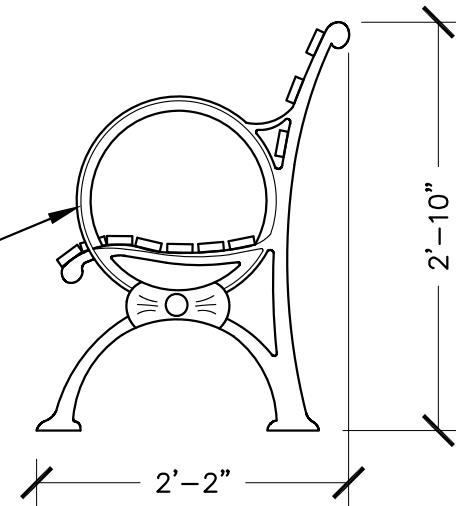
1/4 X 1" STEEL
CROSS BRACING

1/4-20 S.S. BOLT - TYP.

CAST IRON BENCH
END - (2 REQ'D)

3/4" STEEL
BRACING ROD

ELEVATION



SIDE ELEVATION

Robinson Iron

4FT EXPO BENCH

www.robinsoniron.com 1-800-824-2157

