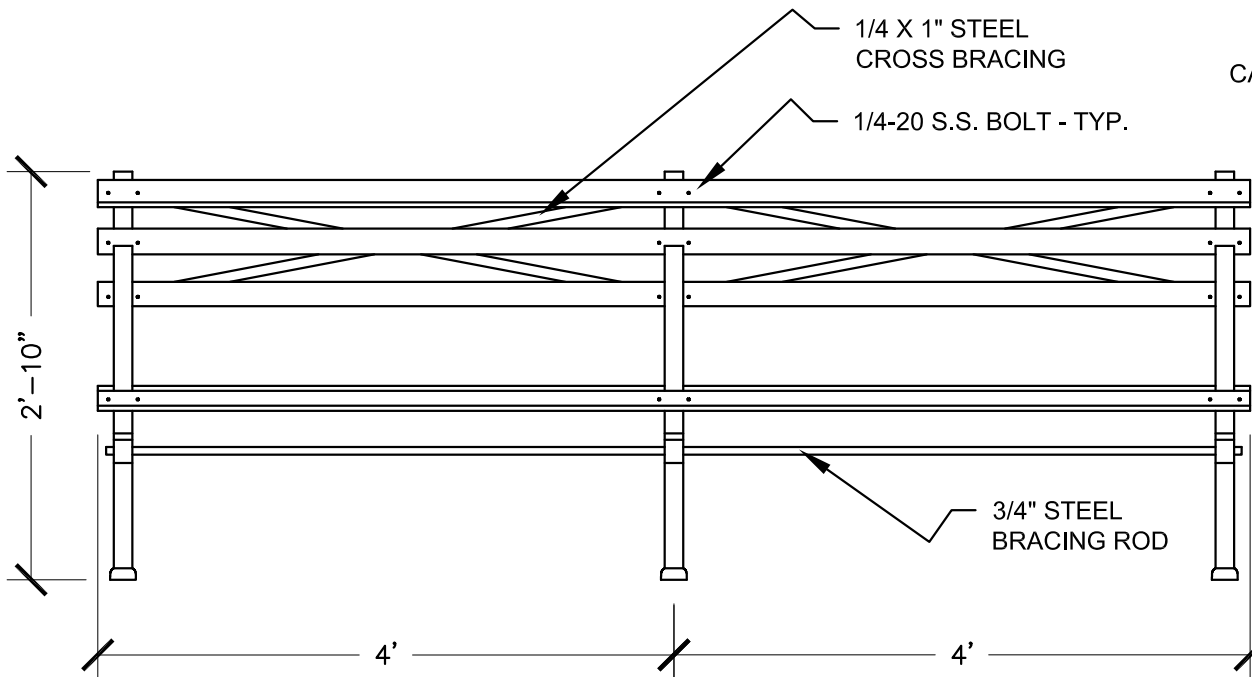


CLEAR WHITE OAK SLATS  
COATED WITH CLEAR  
EXTERIOR VARNISH

PLAN VIEW



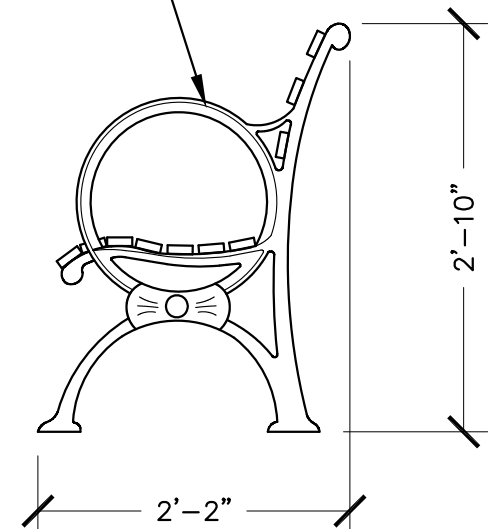
1/4 X 1" STEEL  
CROSS BRACING

1/4-20 S.S. BOLT - TYP.

CAST IRON BENCH  
END - (3 REQ'D)

3/4" STEEL  
BRACING ROD

ELEVATION



SIDE ELEVATION

**Robinson Iron**

**8FT EXPO BENCH**

www.robinsoniron.com 1-800-824-2157

