

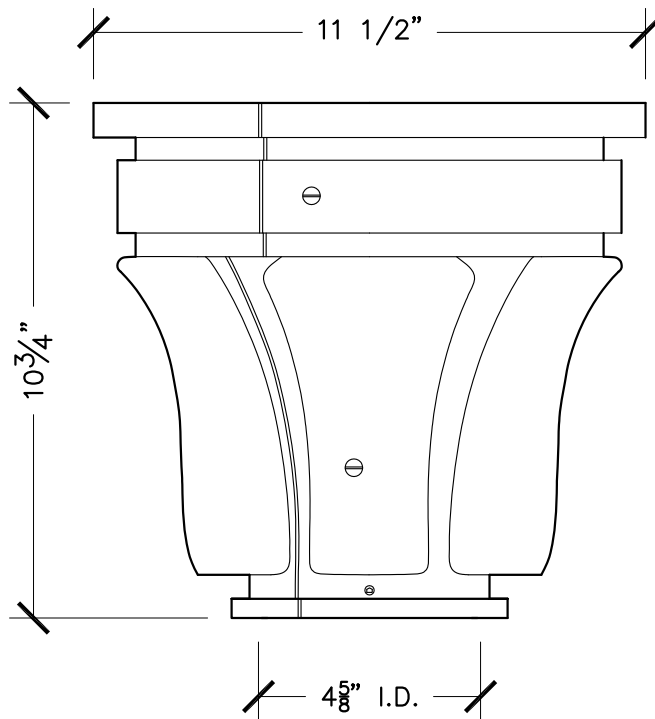
NOTES:

FOR STANDARD 4" STRUCTURAL PIPE** (NOT INCLUDED)

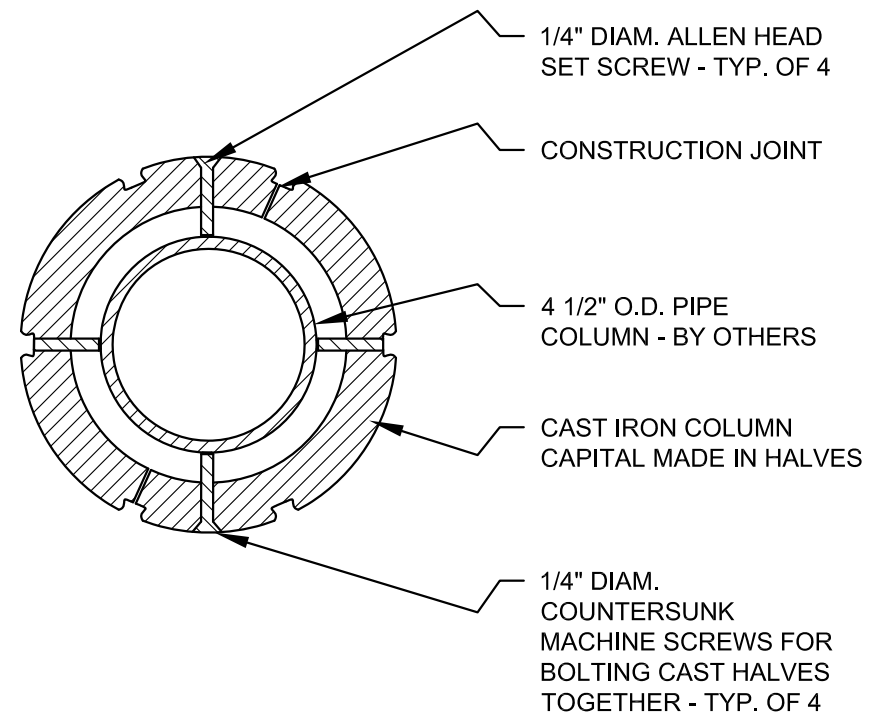
STANDARD COLUMN CAP IS SHIPPED IN TWO HALVES TO BE WELDED TOGETHER BY INSTALLER.

PLEASE SPECIFY IF BOLTING DETAIL IS REQUIRED.

**4" STRUCTURAL PIPE HAS AN OUTSIDE DIAMETER OF 4 1/2"



ELEVATION



SECTION

Robinson Iron

FRENCH MARKET COLUMN CAPITAL

www.robinsoniron.com 1-800-824-2157

