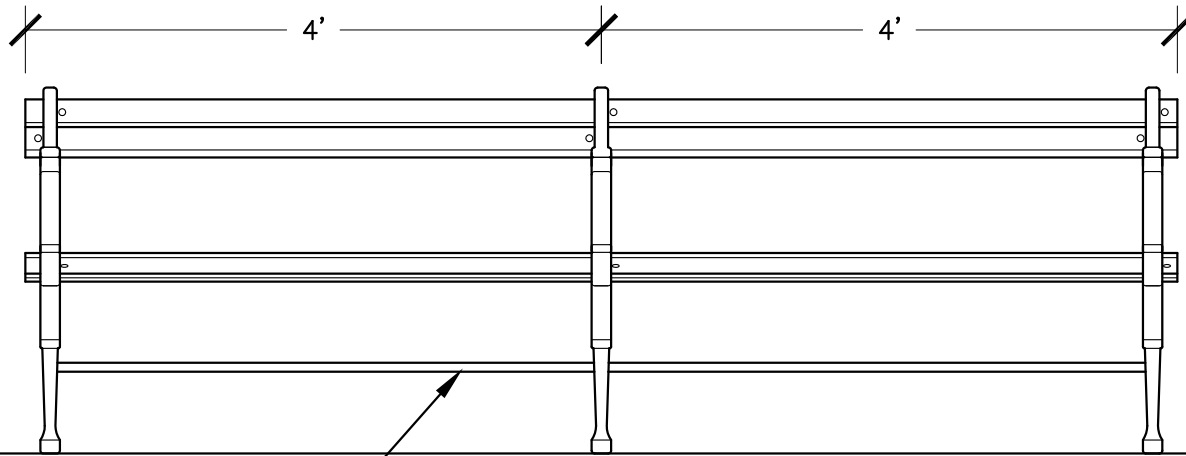


CLEAR WHITE OAK SLATS COATED WITH CLEAR EXTERIOR VARNISH

1/4-20 S.S. CARRIAGE BOLT - TYP.

PLAN VIEW

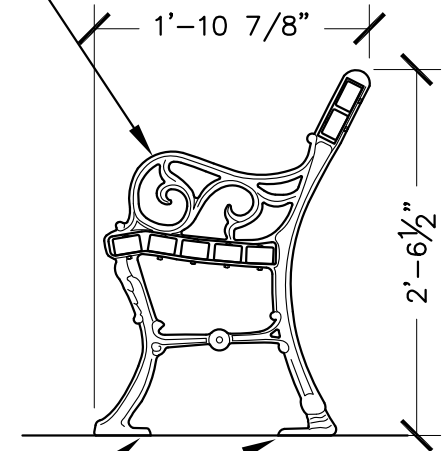
CAST IRON BENCH END - (3 REQ'D)



3/4" STEEL BRACING ROD

ELEVATION

UPON REQUEST, DRILLED 5/8" DIAM. CLEARANCE FOR 1/2" DIAM. ANCHOR BOLTS (BOLTS BY OTHERS)



SIDE ELEVATION

Robinson Iron

8FT SCROLL BENCH

